

COMTEK COMPRESSORS IN VERTICAL CONFIGURATION



Single stage direct driven electric air compressors with single and three phase electric motors.

Steel tank painted with epoxy polyester powder and endowed with rubber wheels and transport handles.

Start-stop automatic system run by pressure switch.

Maximum pressure gauge and security valve.

Pressure reducer with gauge and universal quick coupling.

No return valve provided with draining tube.

Drain cock.

NEW ROTAL TECHNOLOGY
PATENTED 



LOW VIBRATION



HEAVY DUTY SERVICE



HIGHER VOLUMETRIC OUTPUT



LONG LIFE



LOW OIL CONSUMPTION
min. 1000 h without refilling



ENERGY EFFICIENCY
Higher FAD with less energy input.



LARGE FAN



LOW MAINTENANCE



EASY STARTING
Rotating system requiring less start energy.



ROBUSTNESS



LOW RUNNING COSTS



FORCED LUBRICATION
Can perform in a strongly inclined position.

TOTALLY
MADE IN ITALY

Construction features

Compressor groups with IP 55

4 pole C1 electric motors. S1 continuous service. IP 55, B34 form

Single phase motor completed with protection with manual resetting

Forced lubrication with patented oil piston pump

Grey cast-iron cylinders

Valve plates with steel lamellar valves

Electric motor and crankshaft - one piece only; spheroid graphite cast-iron fully tempered.

Gear pair in special sintered steel

Large heavy duty ball bearings

Special Teflon bush bearing to reduce friction

After coolers in aluminum are assembled around the fan.

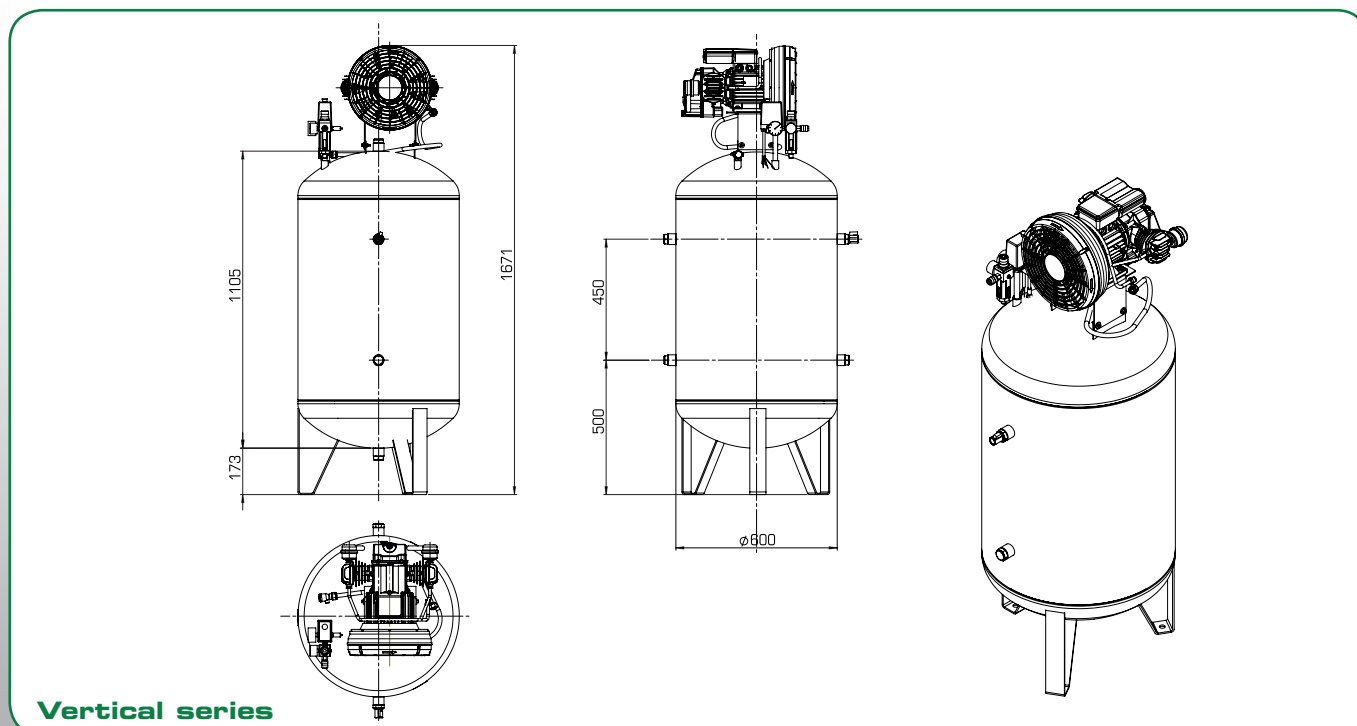
Metallic air filters with internal 10 micro paper cartridge

Vertical series



Type	Code	Tank	Volt./freq.	Power		RPM	Cylinders	Inlet air		F.A.D.		Max pressure		Noise	L x D x H	Weight
				Kw	HP			l/min	cfm	l/min	cfm	bar	psi			
COMTEK	n°	l	V-Hz			n/min	n°							cm	kg	
LUBRICATED COMPRESSORS THREE-PHASE																
VRT 270-B50-3.0T10	8VRAE270611	270	400 / 50	2,2	3	1420	2	367	12,9	280	9,9	10	145	81	60x60x167	106
VRT 270-B55-4.0T10	8VRAF270611	270	400 / 50	3	4	1420	2	445	15,7	335	11,8	10	145	82	60x60x167	106
VRT 270-B62-5.0T10	8VRAG270611	270	400 / 50	3,8	5	1420	2	565	19,9	420	14,8	10	145	83	60x60x167	110

(Other configuration available on request. Please contact COMTEK)



Vertical series

COMTEK is not to be held responsible for any error on any information present in this document. The products, specifications and data reported here can be changed without the need to give any notice. The information contained in this document are based on data collected by COMTEK that are considered valid and which are aligned with the technical knowledge of today. Use of this document and related products is intended only to persons having the necessary skills and knowledge at their own risk and discretion. Since conditions of use are outside the control of COMTEK, we cannot assume any liability for any damage caused by the use of our equipments. This document replaces all earlier versions.