

# COMTEK COMPRESSORS "S" SERIES



## Single stage direct driven electric air compressors with single and three phase electric motors.

Steel tank painted with epoxy polyester powder and endowed with rubber wheels and transport handles.

Start-stop automatic system run by pressure switch.

Maximum pressure gauge and security valve.

Pressure reducer with gauge and universal quick coupling.

No return valve provided with draining tube.

Drain cock.

**NEW ROTAL TECHNOLOGY**  
PATENTED 



**LOW VIBRATION**



**HEAVY DUTY SERVICE**



**HIGHER VOLUMETRIC OUTPUT**



**LONG LIFE**



**LOW OIL CONSUMPTION**  
min. 1000 h without refilling



**ENERGY EFFICIENCY**  
Higher FAD with less energy input.



**LARGE FAN**



**LOW MAINTENANCE**



**EASY STARTING**  
Rotating system requiring less start energy.



**ROBUSTNESS**



**LOW RUNNING COSTS**



**FORCED LUBRICATION**  
Can perform in a strongly inclined position.

TOTALLY  
**MADE IN ITALY**

# Construction features

Compressor groups with IP 55

4 pole C1 electric motors. S1 continuous service. IP 55, B34 form

Single phase motor completed with protection with manual resetting

Forced lubrication with patented oil piston pump

Grey cast-iron cylinders

Valve plates with steel lamellar valves

Electric motor and crankshaft - one piece only; spheroid graphite cast-iron fully tempered.

Gear pair in special sintered steel

Large heavy duty ball bearings

Special Teflon bush bearing to reduce friction

After coolers in aluminum are assembled around the fan.

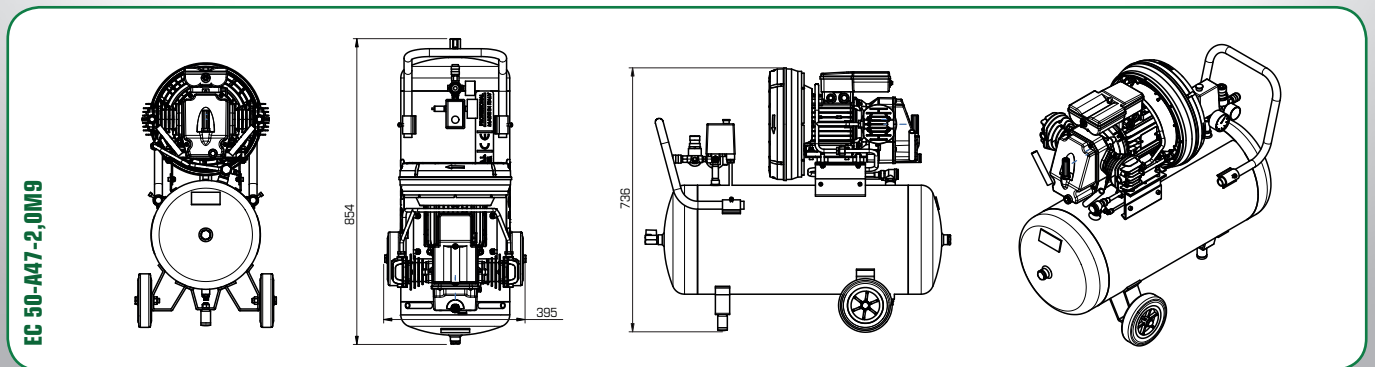
Metallic air filters with internal 10 micro paper cartridge

## Compressors based on "S" Series



Type	Code	Tank	Volt./Freq.	Power	RPM	Cylinders	Inlet air	E.A.D.		Max pressure	Noise	L x D x H	Weight
COMTEK	n°	l	V-Hz	Kw HP	n/min	n°	l/min cfm	l/min cfm	bar psi	dB-A	cm	kg	
<b>LUBRICATED COMPRESSORS SINGLE-PHASE</b>													
<b>EC 50-A47-2,0M9</b>	8ECAD050203	50	230 / 50	1,5 2,0	1400	2	268 9,4	216 7,6	9 130	78	85x36x73	48	
<b>EC 90-A47-2,0M9</b>	8ECAD090203	90	230 / 50	1,5 2,0	1400	2	268 9,4	216 7,6	9 130	78	100x36x83	52	
<b>EC 150-A47-2,0M9</b>	8ECAD150203	150	230 / 50	1,5 2	1400	2	268 9,4	216 7,6	9 130	78	130x36x101	77	
<b>EC 200-A47-2,0M9</b>	8ECAD200203	200	230 / 50	1,5 2	1400	2	268 9,4	216 7,6	9 130	78	140x36x103	84	
<b>EC 50-A48-3,0M9</b>	8ECAH050203	50	230 / 50	2,2 3	1400	2	278 9,8	225 7,9	9 130	78	85x36x73	48,5	
<b>EC 90-A48-3,0M9</b>	8ECAH090203	90	230 / 50	2,2 3	1400	2	278 9,8	225 7,9	9 130	78	100x36x83	52,5	
<b>EC 150-A48-3,0M9</b>	8ECAH150203	150	230 / 50	2,2 3	1400	2	278 9,8	225 7,9	9 130	78	130x36x101	77,5	
<b>EC 200-A48-3,0M9</b>	8ECAH200203	200	230 / 50	2,2 3	1400	2	278 9,8	225 7,9	9 130	78	140x36x103	84,5	
<b>LUBRICATED COMPRESSORS THREE-PHASE</b>													
<b>EC 50-A47-2,0T10</b>	8ECAD050711	50	400 / 50	1,5 2,0	1420	2	271 9,5	221 7,8	10 145	78	85x36x73	47	
<b>EC 90-A47-2,0T10</b>	8ECAD090711	90	400 / 50	1,5 2,0	1420	2	271 9,5	221 7,8	10 145	78	100x36x83	51	
<b>EC 150-A47-2,0T10</b>	8ECAD150711	150	400 / 50	1,5 2	1420	2	271 9,5	221 7,8	10 145	78	130x36x101	76	
<b>EC 200-A47-2,0T10</b>	8ECAD200711	200	400 / 50	1,5 2	1420	2	271 9,5	221 7,8	10 145	78	140x36x103	83	
<b>EC 50-A48-3,0T10</b>	8ECAH050711	50	400 / 50	2,2 3	1420	2	282 10	230 8,1	10 145	78	85x36x73	47,5	
<b>EC 90-A48-3,0T10</b>	8ECAH090711	90	400 / 50	2,2 3	1420	2	282 10	230 8,1	10 145	78	100x36x83	51,5	
<b>EC 150-A48-3,0T10</b>	8ECAH150711	150	400 / 50	2,2 3	1420	2	282 10	230 8,1	10 145	78	130x36x101	76,5	
<b>EC 200-A48-3,0T13</b>	8ECAH200711	200	400 / 50	2,2 3	1420	2	282 10	230 8,1	10 145	78	140x36x103	84,5	

(Other configuration available on request. Please contact COMTEK)



COMTEK is not to be held responsible for any error on any information present in this document. The products, specifications and data reported here can be changed without the need to give any notice. The information contained in this document are based on data collected by COMTEK that are considered valid and which are aligned with the technical knowledge of today. Use of this document and related products is intended only to persons having the necessary skills and knowledge at their own risk and discretion. Since conditions of use are outside the control of COMTEK, we cannot assume any liability for any damage caused by the use of our equipments. This document replaces all earlier versions.