

COMTEK COMPRESSORS "L" SERIES



Single stage direct driven electric air compressors with single and three phase electric motors.

Steel tank painted with epoxy polyester powder and endowed with rubber wheels and transport handles.

Start-stop automatic system run by pressure switch.

Maximum pressure gauge and security valve.

Pressure reducer with gauge and universal quick coupling.

No return valve provided with draining tube.

Drain cock.

NEW ROTAL TECHNOLOGY
PATENTED 



LOW VIBRATION



HEAVY DUTY SERVICE



HIGHER VOLUMETRIC OUTPUT



LONG LIFE



LOW OIL CONSUMPTION
min. 1000 h without refilling



ENERGY EFFICIENCY
Higher FAD with less energy input.



LARGE FAN



LOW MAINTENANCE



EASY STARTING
Rotating system requiring less start energy.



ROBUSTNESS



LOW RUNNING COSTS



FORCED LUBRICATION
Can perform in a strongly inclined position.

TOTALLY
MADE IN ITALY

Construction features

Compressor groups with IP 55

4 pole C1 electric motors. S1 continuous service. IP 55, B34 form

Single phase motor completed with protection with manual resetting

Forced lubrication with patented oil piston pump

Grey cast-iron cylinders

Valve plates with steel lamellar valves

Electric motor and crankshaft - one piece only; spheroid graphite cast-iron fully tempered.

Gear pair in special sintered steel

Large heavy duty ball bearings

Special Teflon bush bearing to reduce friction

After coolers in aluminum are assembled around the fan.

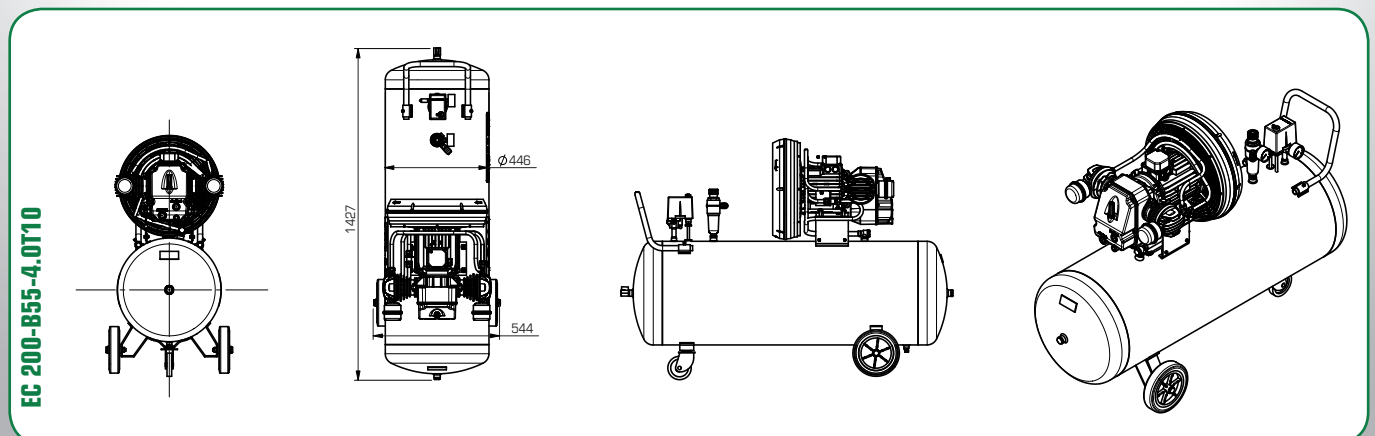
Metallic air filters with internal 10 micro paper cartridge

Compressors based on "L" Series



Type	Code	Tank	Volt./Freq.	Power	RPM	Cylinders	Inlet air		F.A.D.		Max pressure		Noise	L x D x H	Weight
COMTEK	n°	l	V-Hz	Kw HP	n/min	n°	l/min	cfm	l/min	cfm	bar	psi	dB-A	cm	kg
LUBRICATED COMPRESSORS SINGLE-PHASE															
EC 90-B50-3.0M9	8ECAE090103	90	230 / 50	2,2 3	1400	2	362	12,7	270	9,5	9	130	81	100x47x90	63
EC 150-B50-3.0M9	8ECAE150103	150	230 / 50	2,2 3	1400	2	362	12,7	270	9,5	9	130	81	130x47x101	88
EC 200-B50-3.0M9	8ECAE200103	200	230 / 50	2,2 3	1400	2	362	12,7	270	9,5	9	130	81	143x47x103	95
EC 90-B55-3.5M9	8ECAF090103	90	230 / 50	2,6 3,5	1400	2	439	15,4	325	11,5	9	130	82	100x47x90	63
EC 150-B55-3.5M9	8ECAF150103	150	230 / 50	2,6 3,5	1400	2	439	15,4	325	11,5	9	130	82	130x47x101	88
EC 200-B55-3.5M9	8ECAF200103	200	230 / 50	2,6 3,5	1400	2	439	15,4	325	11,5	9	130	82	143x47x103	95
LUBRICATED COMPRESSORS THREE-PHASE															
EC 90-B50-3.0T10	8ECAE090611	90	400 / 50	2,2 3	1420	2	367	12,9	280	9,9	10	145	81	100x47x90	61
EC 150-B50-3.0T10	8ECAE150611	150	400 / 50	2,2 3	1420	2	367	12,9	280	9,9	10	145	81	130x47x101	88
EC 200-B50-3.0T11	8ECAE200611	200	400 / 50	2,2 3	1420	2	367	12,9	280	9,9	10	145	81	143x47x103	95
EC 90-B55-4.0T10	8ECAF090611	90	400 / 50	3 4	1420	2	445	15,7	335	11,8	10	145	82	100x47x90	63
EC 150-B55-4.0T10	8ECAF150611	150	400 / 50	3 4	1420	2	445	15,7	335	11,8	10	145	82	130x47x101	88
EC 200-B55-4.0T10	8ECAF200611	200	400 / 50	3 4	1420	2	445	15,7	335	11,8	10	145	82	143x47x103	95
EC 200-B62-5.0T10	8ECAG200611	200	400 / 50	3,8 5	1420	2	565	19,9	420	14,8	10	145	83	143x47x103	97
EC 270-B62-5.0T10	8ECAG270611	270	400 / 50	3,8 5	1420	2	565	19,9	420	14,8	10	145	83	150x47x110	109

(Other configuration available on request. Please contact COMTEK)



COMTEK is not to be held responsible for any error on any information present in this document. The products, specifications and data reported here can be changed without the need to give any notice. The information contained in this document are based on data collected by COMTEK that are considered valid and which are aligned with the technical knowledge of today. Use of this document and related products is intended only to persons having the necessary skills and knowledge at their own risk and discretion. Since conditions of use are outside the control of COMTEK, we cannot assume any liability for any damage caused by the use of our equipments. This document replaces all earlier versions.